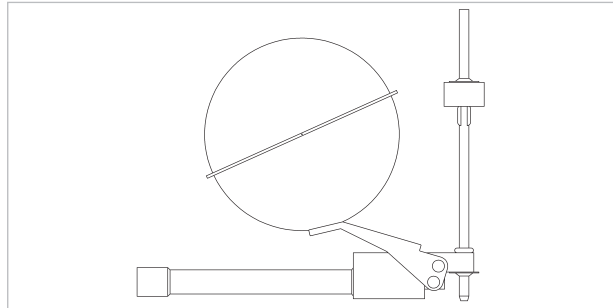


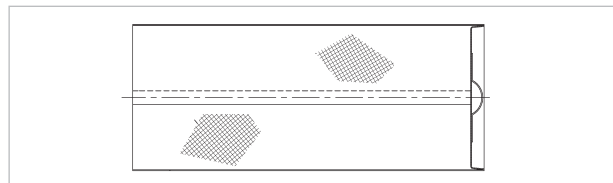
REPLACEMENT COMPONENTS

OIL SEPARATORS



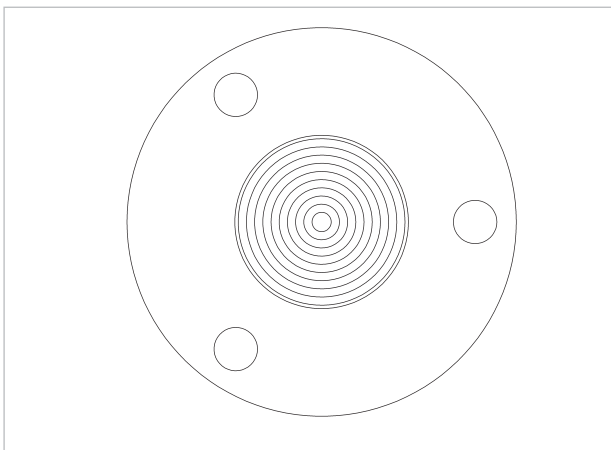
Vessel Part No	Replacement Float Assy + Gasket	Gasket only
S-588*	A-5000-30	2-023-001

Vessel Part No	Replacement Float Assy + Gasket	Gasket only
S-520*	A-2900-30	2-023-001
S-190*		
S-541*		
SN-529*		
S-529*		
S-290*		



Vessel Part No	Replacement Screen Cartridge	Replacement Gasket
S-579*	3-010-301	2-023-001

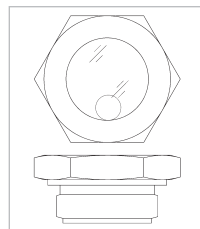
OIL LEVEL REGULATORS



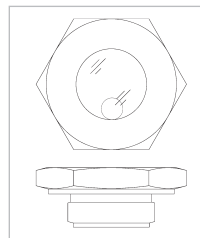
Part No	Description
2-020-006	Reflex Lens Sight Glass
S81-3-125	O-ring
2-023-003	Quad-ring
A4480	Standard Seal Kit (note 1)

Note 1. This is the standard seal kit supplied with each S-95 series regulator. It includes bolts, nuts, quad and O-rings along with a special sandwich piece and O-ring for sealing a Bitzer 4-bolt sight glass.

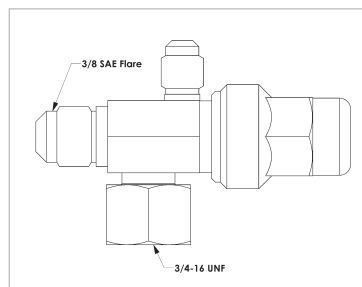
OIL RESERVOIRS



Old style Sight Glass
3-020-011 (1.25 A/F Hex) O-ring S81-3-213
Note: This sight glass design was superseded by part no 3-020-079 in 2003



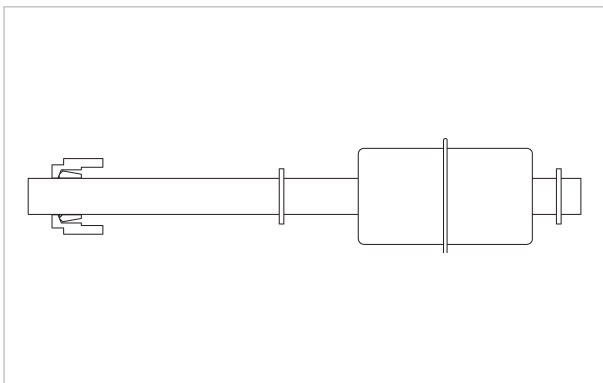
New style Sight Glass
3-020-079 (1.50 A/F Hex) O-ring S81-3-123



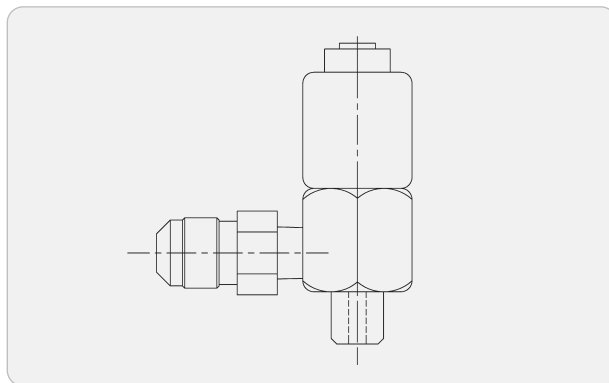
3/8 SAE Flare Rotalock Valve 2-030-122
Teflon seal Gasket A8604

REPLACEMENT COMPONENTS

ELECTRO-MECHANICAL OIL LEVEL REGULATORS



S-9030/S9040 Float Switch Kit (part no 3-044-016)



S-9030/S9040 Solenoid Valve Kit (part no 3-044-017)

Part No	Description	Regulator models
3-044-016	Float switch kit	S9030/40
3-044-017	Solenoid valve kit	S9030/40
SG-1006	Sight Glass-Clear	S9040
SG-1106	Sight Glass-Reflex	S9040